



# Temperature Measurement Hand Sanitizer Dispenser

## Operation Manual

2020

Thank you for your use and support welcome to use the product manual

# Content

1.Packing List	2
2.Specifications	2
3.Instructions	3
4.Bottom Panel	4
5.Cautions	5
6.Appearance Description	6
7.Installation Steps	7
8.Guarantee Card	9

## 1.Packing List

Host machine, expansion screws, instructions leaflet, power adaptor (optional)

## 2.Specifications

Product Name: temperature measure and dispenser kiosk

Host machine size: 150\*100\*240mm

Power Max: 3W

Power Supply: 4pcs AA battery or DC 6V1A direct supply

Dry battery life circle: 20,000~30,000 times

Product function: Detection of hand temperature and automatic induction of wash-free hand sanitizer,

Display: Digital display

Temperature Measuring Range :Body temperature (30 °C ~38 °C , 86 °F ~100.4 °F )

Testing distance: 3-5cm

Tolerance:  $\pm 0.3^{\circ}\text{C}$

Temperature measurement time: 2s

Capacity of liquid container: 1000ml

Use times: for gel hand sanitizer, 1500-2000 times

Liquid type: gel, spay, foam

Liquid outflow method: infrared sensing outflow

Working environment: 10 °C -40 °C (50 °F -104 °F ) humidity  $\leq 85\%$


Temp Unit: °C/°F

Storage environment: -20 °C -55 °C (-4 °F -131 °F ) humidity  $\leq 85\%$

Temperature unit: Celsius (°C)/Fahrenheit (°F) switchable


Weight (net weight): 9KG


### 3. Instructions

Start-up Press  P00 button for 1 second and start the distance sensor, and put your hand in the central induction area under the device for measurement. When device working normally, the light turns green. Without operating the device for 30 seconds, the device will go into sleep mode, turn off the screen and backlight, and the green light will keep flashing once per second

Switch off: working status Press  P00 button for 2 seconds.

1. Press °C/°F  P01 button for 2 seconds, then enter into "setting mode"

(1) Under mode F-1, press the  P00 button to switch °C/°F; press P01 to switch to mode F-2

(2) In mode F-2, press the  P00 button, Circulating adjustment of liquid output (L1-L9, 9 gears in total); Press the P01 button, exit the setting mode and shutdown.

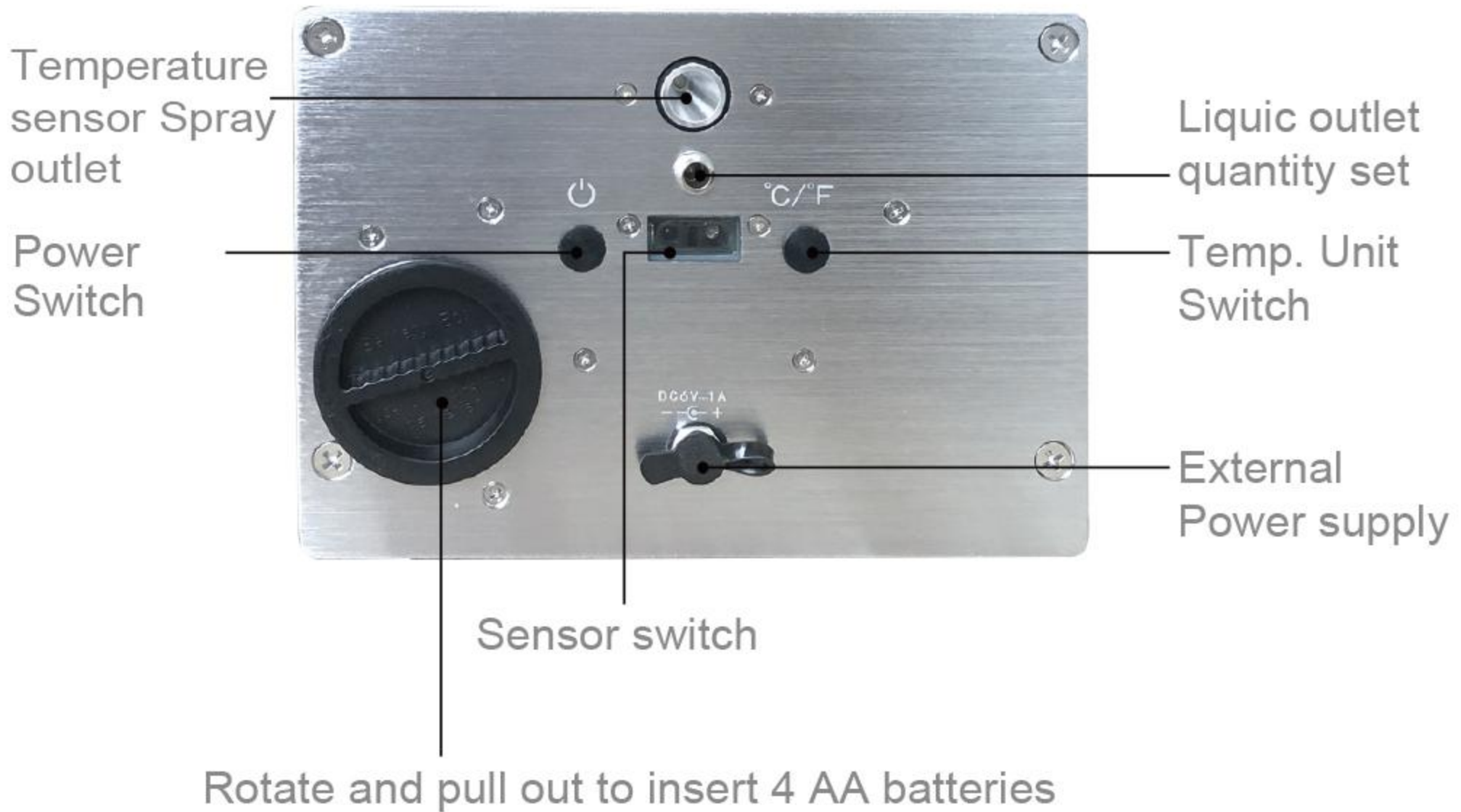
2. Body temperature indicated by hand icon light

3. The display will show low power alarm when the battery power is low, prompt to change the battery

4. The screen will show LO if the hand temperature is lower than 30°C. The measurement is invalid and no liquid out. Please place your hand in the sensor area again.
5. When the temperature measured by hand is between 30°C and 38°C, the machine sprays liquid and the indicate light is green.
6. When the temperature measured by hand at 30°C the hand sanitizer dispenser still can liquid flow out normally
7. When the hand temperature is higher than 38.0°C, the device will spray liquid and the LED will be red and there will be a long beep for alarming.
8. When the device is in standby mode, no display on the screen, and the two-colors' light flashing alternately once per second.
9. It can support 9 level for liquid volumn adjustment ,but L4 (Gel type+Spray type) will be suggested for you .

**Battery Replacement: Open the black round battery holder at the bottom, rotate and pull out to insert 4pcs AA batteries**

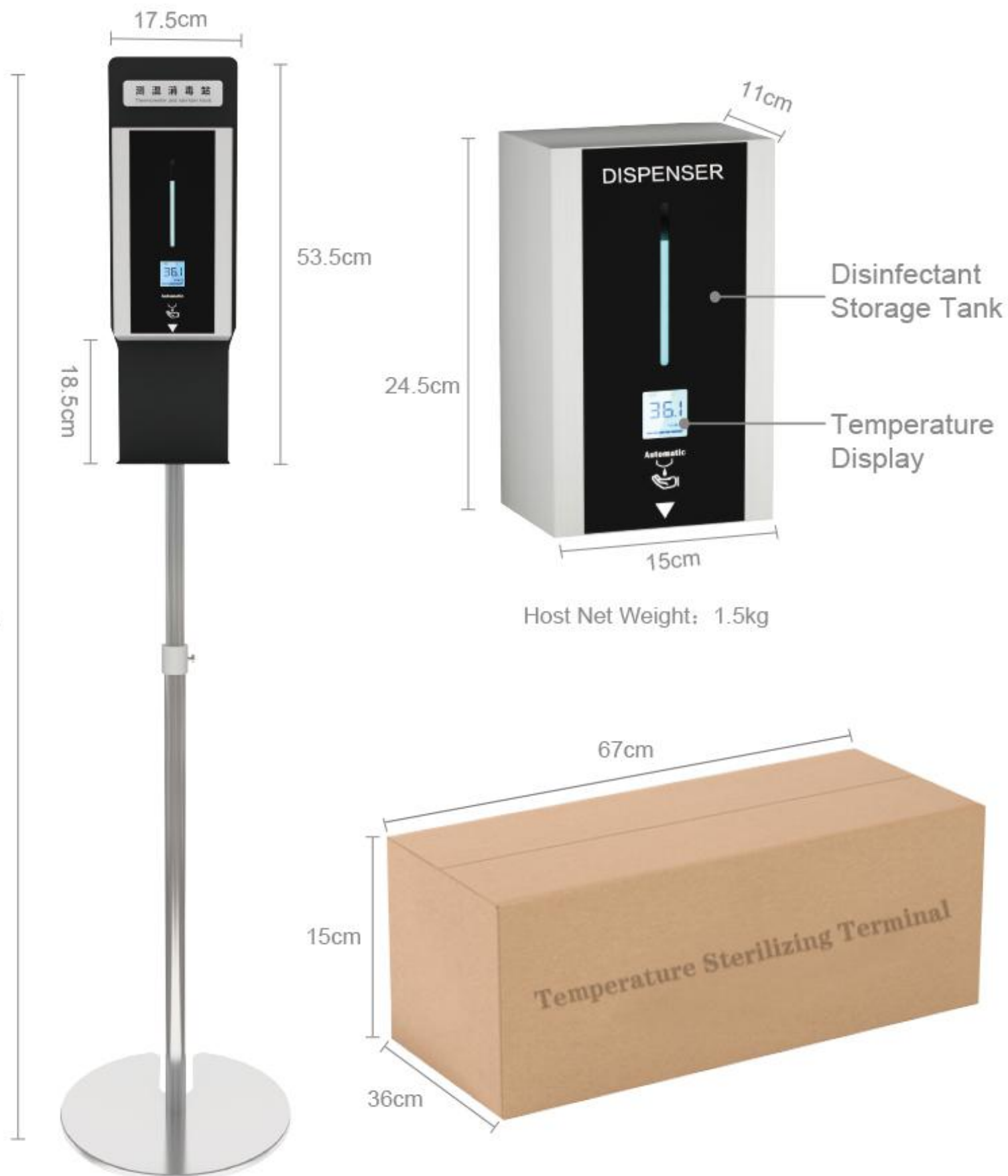
## 4. Bottom Panel



## 5. Cautions

1. Please make sure that the liquid added to the container is clean and free of particles or flocs and sediments. Note: Due to the difference in liquid concentration, too sticky may cause the pump to block. In this case, the original liquid can be diluted with water, and then tested for multiple times. If it still not ok, replace with another liquid.
2. When add liquid, you need to try to drain the air out of the pump several times before it can be used normally.
3. After the machine is filled with liquid, it should be used frequently. If it is not used for a long time, the liquid should be poured out and cleaned, otherwise the liquid inside will freeze due to natural air drying, which will affect the work. Please remove the battery if it is not used for a long time.
4. When adding liquid, please leave a position 1cm away from the bottle mouth.
5. When the battery is too low, the buzzer will beep to remind you to replace the battery.
6. Do not use strong corrosive chemical solvents to clean the machine, so as not to damage the surface.
7. Please store the machine in a dry environment to avoid rust.

## 6. Appearance Description



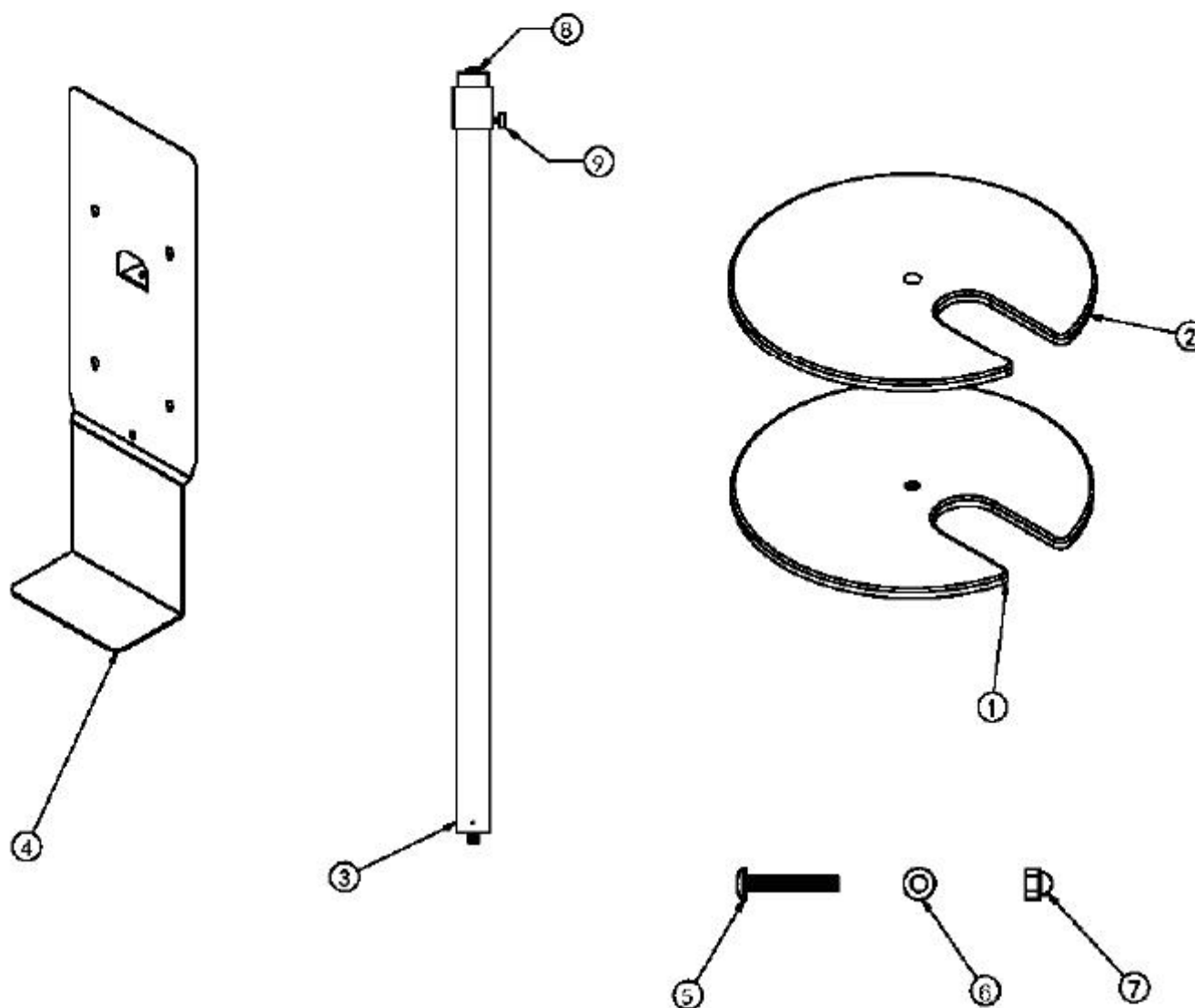
Height: 157.5cm  
Device Net Weight: 9kg  
Device Net Weight: 11.3kg

Host Net Weight: 1.5kg

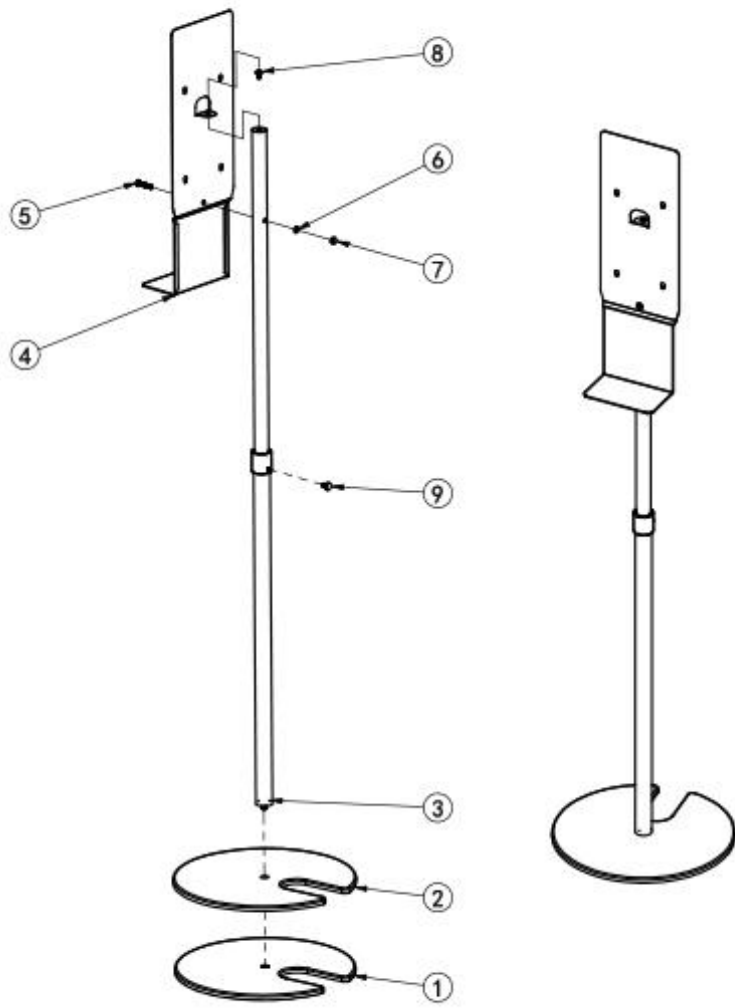
Weight 9KG 67x36x15cm

## 7. Installation Steps

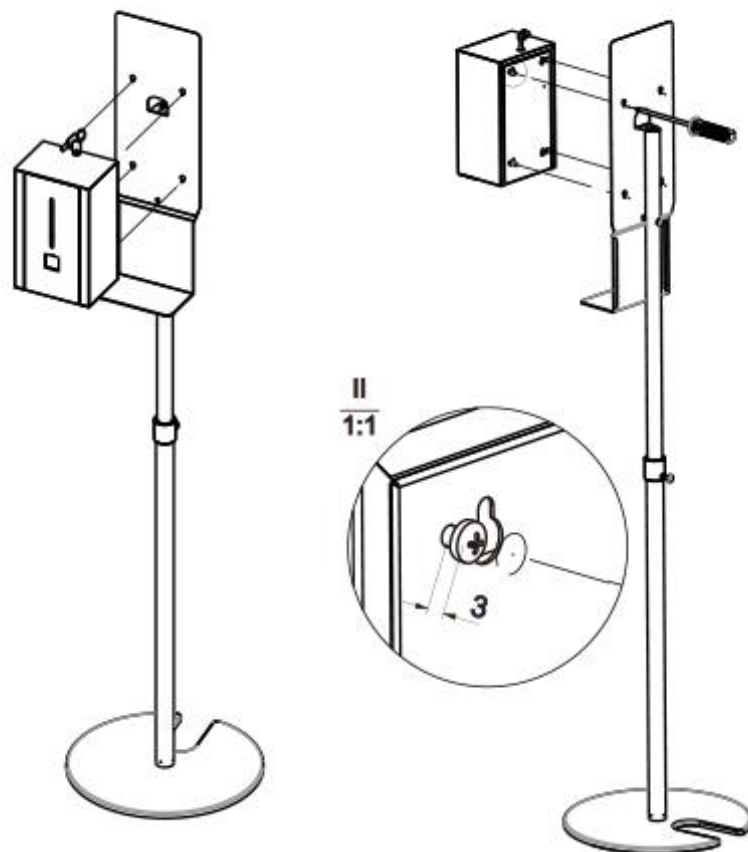
Machine should be installed in where sunlight can't shine on the device directly



- 1 Please confirm the package including the following parts:
  - ①——Base ②——Base cover ③——Telescopic stand
  - ④——Apron ⑤——Apron fixing screws
  - ⑥——Gasket ⑦——Apron fixing nut
  - ⑧——Telescopic stand ⑨——Bracket fixing screws



- 2 Place the base ② on the base ①, and then use the ⑨ bracket fixing screws to fix the ⑧ retractable bracket. At last, fix the ④ back plate on the ⑧ retractable bracket as shown in the picture



- 3 Fix the temperature measurement and disinfection Kiosk to each hole as shown in the figure, using ⑤ back plate fixing screws, ⑥ washers, and ⑦ back plate fixing nuts to fix the temperature measurement and disinfection Kiosk

## 8. Guarantee Card

### Guarantee Card

Product Name

Customer Name:

Product No.

Client Company:

Purchasing date:

Client Address

Zip code

Contact No.